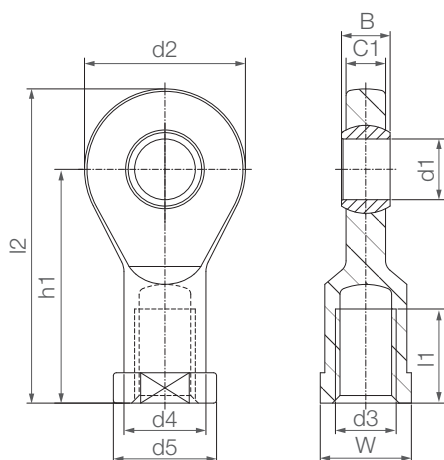


igubal® rod ends | Product Range

Rod ends with female thread, suitable for food contact: EBRM-FC



Order key

Type	Size	Version
E	B	R
M	-06	-FC
E series	Housing (female thread)	Thread
	Metric	Inner Ø
		Suitable for food contact

- Made from FDA and EU10/2011-compliant materials
- Self-lubricating and maintenance-free
- Optically and magnetically detectable
- In industry standard blue
- Corrosion and media-resistant
- Vibration-dampening
- Cost-effective



Material:

Housing: igumid FC ▶ Page 1783

Standard spherical ball: iglide® FC180 ▶ Page 1780

Dimensions [mm]

Part No.	d1	d2	d3	d4	d5	C1	B	h1	l1	l2	W	Max. pivot angle
	E10											
EBRM-06-FC	6	21	M6	11.0	13	4.4	6	30	12	40.5	SW11	27°
EBRM-08-FC	8	24	M8	13.0	16	6.0	8	36	14	48.0	SW14	24°
EBRM-10-FC	10	29	M10	15.0	19	7.0	9	43	18	57.5	SW17	24°
EBRM-10-FC-F	10	29	M10 x 1.25	15.0	19	7.0	9	43	18	57.5	SW17	24°
EBRM-12-FC	12	34	M12	18.0	22	8.0	10	50	20	67.0	SW19	21°

Technical data

Part No.	Max. static tensile strain		Max. static axial force		Min. thread depth	Max. torque strength	Max. torque strength through ball	Weight [g]
	Short-term	Long-term	Short-term	Long-term	Thread	Female thread		
	[lbs]	[lbs]	[lbs]	[lbs]	[mm]	[ft•lbs]	[ft•lbs]	
EBRM-06-FC	292	146	67	33	8.0	1.11	1.48	4.0
EBRM-08-FC	427	213	112	56	11.0	3.69	2.95	7.0
EBRM-10-FC	499	247	112	56	13.0	7.38	4.43	11.4
EBRM-10-FC-F	499	247	112	56	13.0	7.38	4.43	11.4
EBRM-12-FC	674	337	179	89	14.0	11.06	4.43	17.4